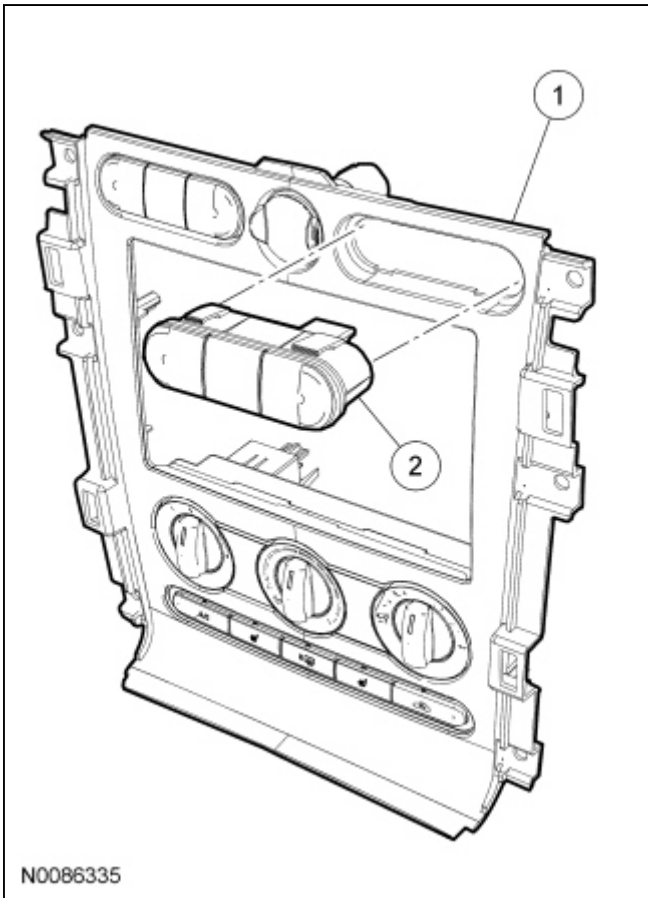


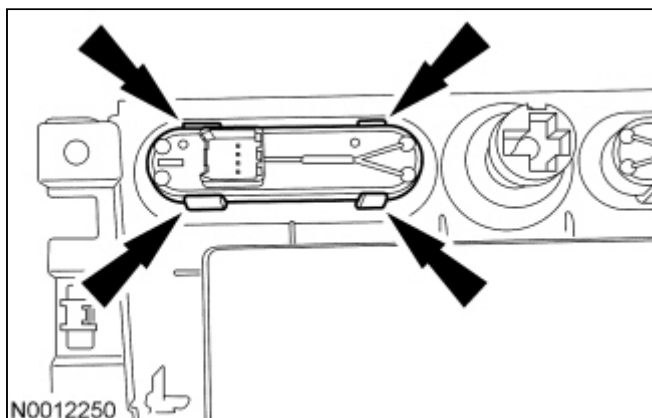
Traction Control Switch



Item	Part Number	Description
1	6304302	Instrument panel center finish panel
2	13D730	Traction control switch

Removal and Installation

1. Remove the instrument panel center finish panel. For additional information, refer to [Section 501-12](#).
2. Press the retaining tabs and remove the switchblock.



3. To install, reverse the removal procedure.

